

PRODUCT INFORMATION PACKET

Model No: 5KC49NN2133X

Catalog No: C351

1 HP General Purpose Motor, 1 phase, 3600 RPM, 115/230 V, 56C Frame, TEFC
Single Phase TEFC Motors



Regal and Marathon are trademarks of Regal Beloit Corporation or one of its affiliated companies.
©2020 Regal Beloit Corporation, All Rights Reserved. MC017097E

REGAL



Nameplate Specifications

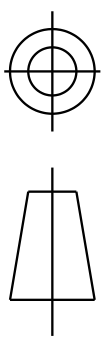
Output HP	1 Hp	Output KW	0.75 kW
Frequency	60 Hz	Voltage	115/230 V
Current	13.0,6.5 A	Speed	3450 rpm
Service Factor	1.15	Phase	1
Efficiency	68 %	Power Factor	0
Duty	Continuous	Insulation Class	B
KVA Code	L	Frame	56C
Enclosure	Totally Enclosed Fan Cooled	Thermal Protection	AUTO
Ambient Temperature	40 °C	Drive End Bearing Size	6203
Opp Drive End Bearing Size	6203	UL	Recognized
CSA	Yes	CE	N

Technical Specifications

Electrical Type	Capacitor Start Induction Run	Starting Method	SM
Poles	2	Rotation	Counterclockwise/Clockwise
Mounting	Round	Motor Orientation	ANY
Drive End Bearing	BALL	Opp Drive End Bearing	Ball
Frame Material	Rolled Steel	Overall Length	12.44 in
Frame Length	7.15 in	Shaft Diameter	0.630 in
Shaft Extension	1.88 in		
Connection Drawing	52A105383BA	Outline Drawing	52A107671P5

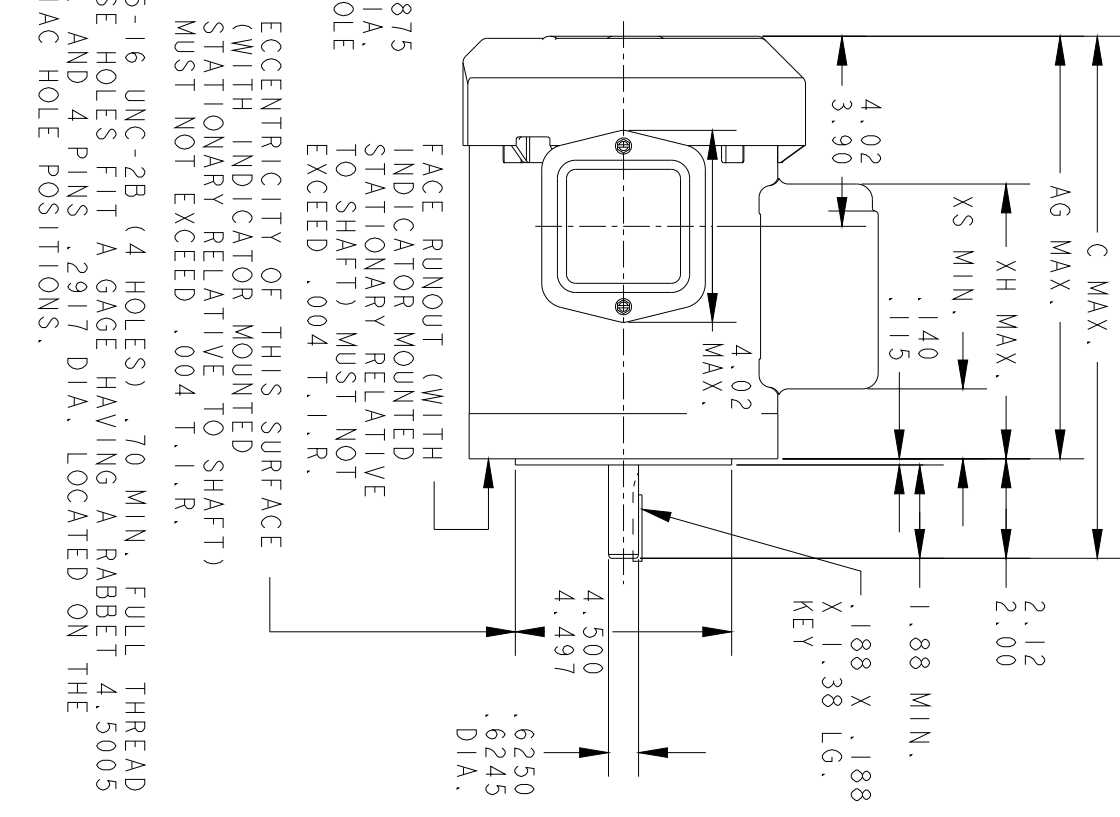
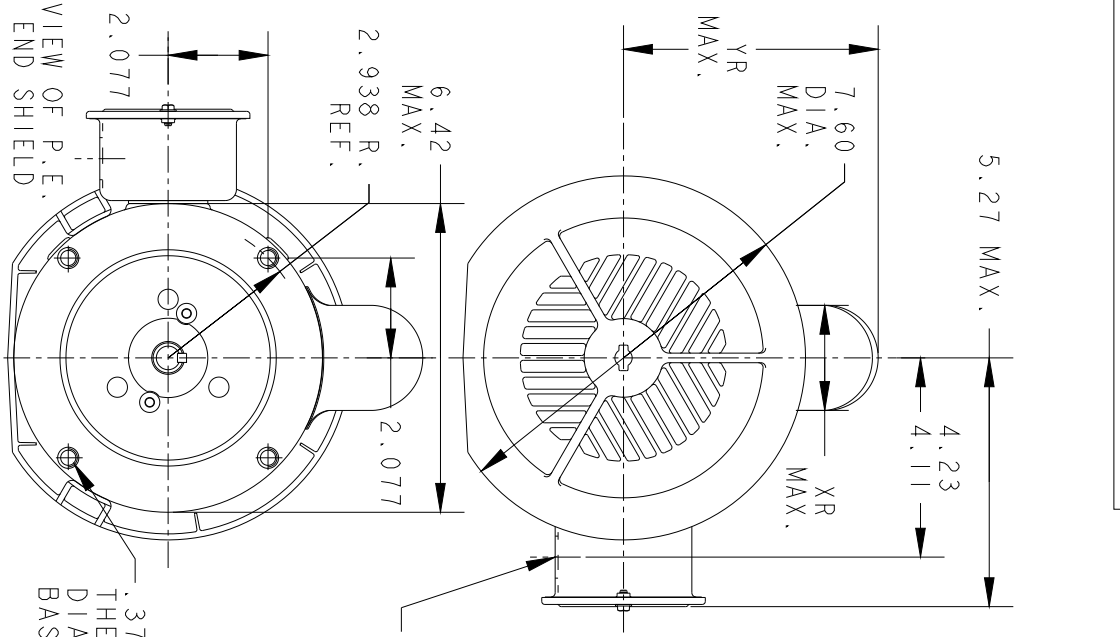
This is an uncontrolled document once printed or downloaded and is subject to change without notice. Date Created:03/11/2020

THIRD ANGLE PROJECTION



REVISIONS

REV.	DESCRIPTION	DATE	APPROVED
12	CHG TO RBC FORMAT PER IS05-1777	03/01/06	SUDHA



VIEW OF P.E. END SHIELD

.375-16 UNC-2B (4 HOLES) .70 MIN. FULL THREAD THESE HOLES FIT A GAGE HAVING A RABBIT 4.5005 DIA. AND 4 PINS .2917 DIA. LOCATED ON THE BASIAC HOLE POSITIONS.

ECCENTRICITY OF THIS SURFACE (WITH INDICATOR MOUNTED STATIONARY RELATIVE TO SHAFT) MUST NOT EXCEED .004 T.I.R.

FACE RUNOUT (WITH INDICATOR MOUNTED STATIONARY RELATIVE TO SHAFT) MUST NOT EXCEED .004 T.I.R.

7	KC	49	56C	12.93	10.81	7.56	5.45	2.22	1.89	7.68
6	KC	49	56C	11.40	9.28	6.03	4.76	1.60	1.57	6.15
5	KC	49	56C	12.44	10.32	7.54	4.72	1.60	1.79	7.15
4	KC	49	56C	12.97	10.85	7.61	5.45	2.40	1.86	7.68
3	KC	46	56C	11.84	9.72	6.94	5.45	2.40	1.19	6.55
2	KC	46	56C	11.84	9.72	6.95	5.34	2.22	2.41	6.55
1	KC	42	56C	11.01	8.89	6.12	5.34	2.22	1.58	5.72
P	TYPE	GE SIZE	NEMA FR.	C	AG	XH	YR	XR	XS	MIN. SHELL



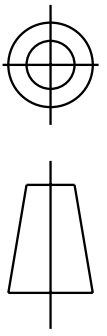
REGAL-BELOTT CORPORATION

OUTLINE

TITLE
FMF - 40 FRAME REDESIGN GENERAL PURPOSE MOTOR - TEFC - BALL BEARING - R2 END MOUNTED

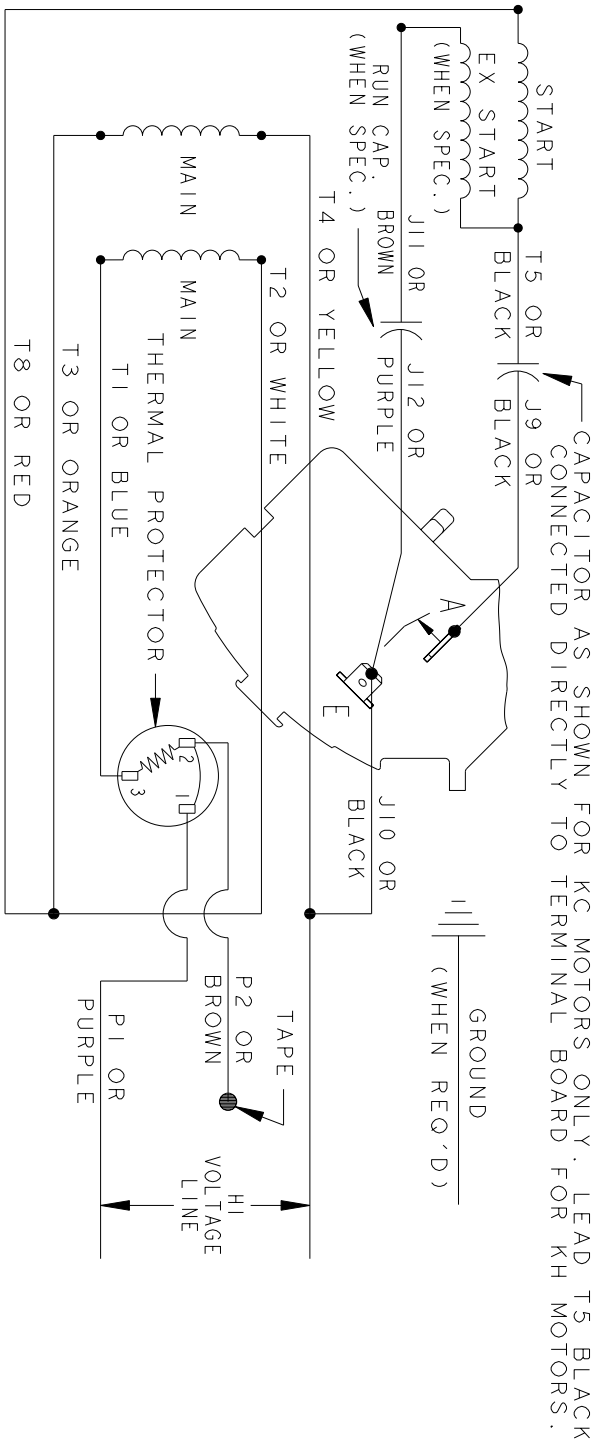
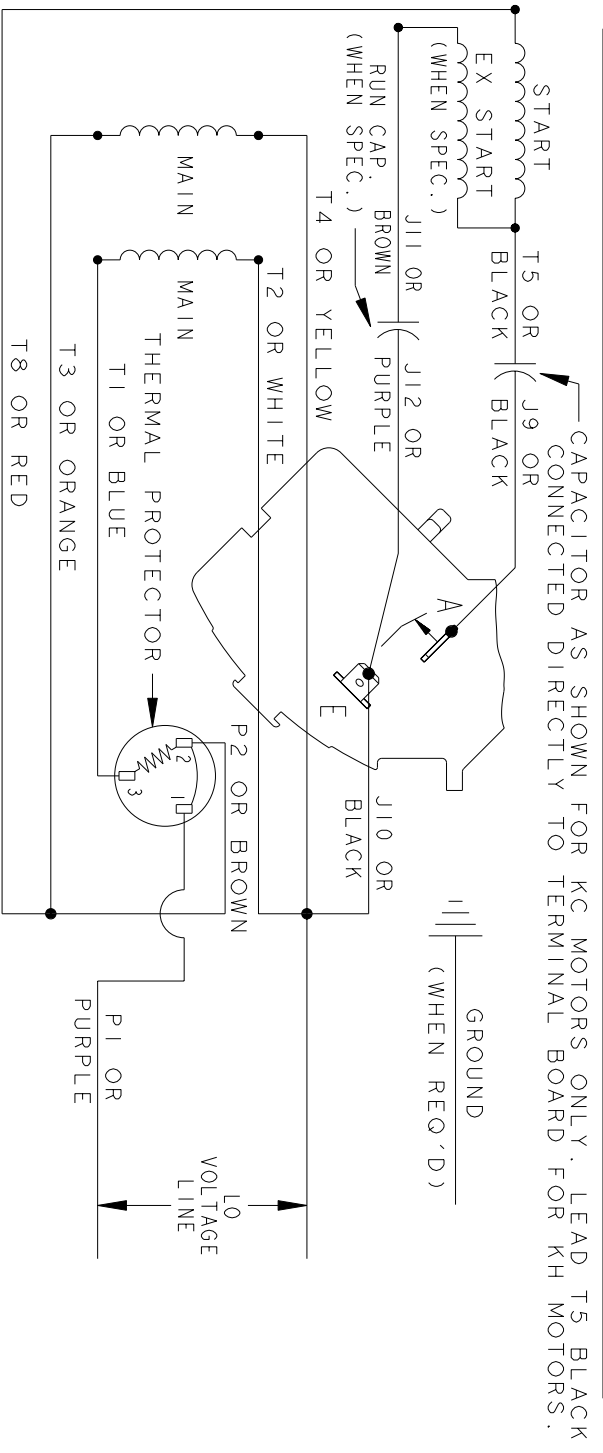
SIGNATURES	DATE
MODEL M.D.PAPE	04/23/91
DETAIL	
CHECKED	
ENGRG	
MFG	
QUALITY	
ISSUED	M.D.PAPE 05/10/94
FOR ADDITIONAL INFO REFER TO:	
APPLIED PRACTICES	
DIMENSIONS ARE IN INCHES	
MATERIAL	SOLID MODEL: 52A107671

SIZE: DRAWING A	SCALE: 0.250 REF. No:
52A107671	SHEET 1 of 1



REV.	DESCRIPTION	DATE	APPROVED
7	UPDATED FORMAT	01/05/06	MAM

CCW/CW ROTATION - DUAL VOLTAGE
TYPE KC, KH OR KCR - WITH THERMAL PROTECTOR



NOTE#1 - TO REVERSE ROTATION, INTERCHANGE T8 RED AND J10 BLACK LEADS.
NOTE#2 - WHEN MORE THAN ONE CAPACITOR IS USED, CONNECT IN PARALLEL.
NOTE#3 - 115D958ABP5 - HIGH CURRENT CONTACTS.

SWITCH (C) - 115D958ABP5, SWITCH (H) - 115D958AA (USE 115D958DA FOR EP)

REF. DIAG. - 113A327, 119A9352 & 52A102102 CONNECTION LABEL - 52X332912

SIGNATURES		DATE	TITLE	
MODEL	M.D.P.	06/29/87	<p>REGAL-BELOIT CORPORATION</p> <p>CONNECTION DIAGRAM</p>	
DETAIL	.			
CHECKED	.			
ENGRG	.			
FOR ADDITIONAL INFO REFER TO:			<p>FME: 30 FRAME SWITCH REDESIGN</p>	
APPLIED PRACTICES	QUALITY		SIZE DRAWING	REV
DIMENSIONS ARE IN INCHES	ISSUED	M.D.P.	A	7
MATERIAL	SOLID MODEL: 52A105383BA	12/11/97	SCALE: 1.000	SHEET 1 of 1
			REF. No.:	